

MODEL 35 TRAILER LAMP KITS

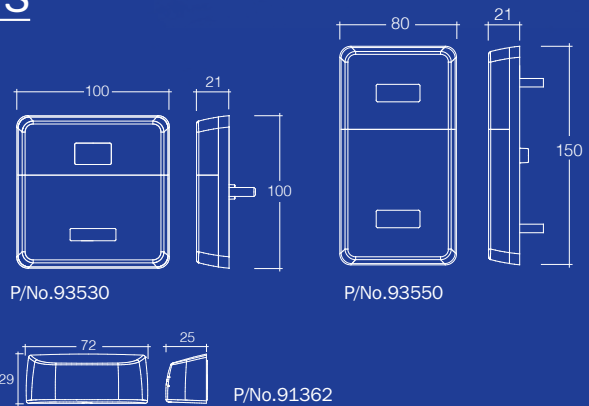
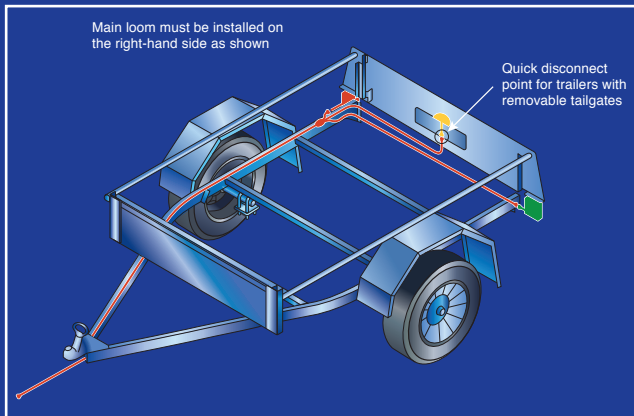
The Model 35 range introduces a complete 'Plug and Play' solution for box trailer lighting, making installation easier and quicker. Perfect for DIY. Narva's 'Plug and Play' waterproof connection system utilises over moulded connectors that quickly join the lamps and trailer plug to the main wiring harness. No splicing or joining of wires is required, making connections a tool free operation.

Each kit contains all the necessary lamps to comply to a standard '6 x 4' or '7 x 5' box trailer to Australian Design Regulations (ADR 13/00) for lighting installations. The two most popular trailer plugs in Australia are included with each kit giving the user flexibility to use their trailer with multiple vehicles and trailer sockets. Included is 7 Pin Flat and 7 Pin Large Round trailer plugs. Retail friendly packaging presents the product in a tamperproof blister. Model 35 lamps are also available in lamp only twin blister packs where harness is not required.



'PLUG AND PLAY' TRAILER LAMP KITS

A complete 'Plug and Play' solution for box trailers making installation easier and quicker.



Current Draw: Indicator 0.16A at 12V, Stop 0.16A at 12V, Tail 0.04A at 12V, Licence Plate 0.08A at 12V. (per lamp).

IP Rating: IP66



PART No. / DESCRIPTION

93530BL2

Blister Pack

12 Volt L.E.D Slimline Rear Stop/Tail, Direction Indicator Lamps with In-Built Retro Reflector and 0.5m cable with connector

Comprises:

93530 2 x 12 Volt L.E.D Slimline Rear Stop Tail, Direction Indicator Lamps with In-Built Retro Reflector and 0.5m cable with connector

ADR APPROVED	
ADR	CRN/E' Mark
6/00 (cat 2a)	2a-E4-01 16072
47/00	1B-E9-02. 16072
49/00	R1-S1-E9-02 16072



93550BL2

Blister Pack

12 Volt L.E.D Slimline Rear Stop/Tail, Direction Indicator Lamps with In-Built Retro Reflector and 0.5m cable with connector

Comprises:

93550 2 x 12 Volt L.E.D Slimline Rear Stop Tail, Direction Indicator Lamps with In-Built Retro Reflector and 0.5m cable with connector.

ADR APPROVED	
ADR	CRN/E' Mark
6/00 (cat 2a)	2a-E9-01. 11717
47/00	1B-E9-02. 11717
49/00	R1-S1-02. 11717

MODEL 35 TRAILER LAMP KITS



PART No. / DESCRIPTION

93540BL2

Blister Pack

12 Volt L.E.D Plug and Play Trailer Lamp Kit (Square Lamps)

Suitable for '6 x 4' and '7 x 5' box trailers

Comprises:

- 93530** 2 x 12V L.E.D Slimline Rear Stop Tail, Direction Indicator Lamp with In-Built Retro Reflector, 0.5m Lead and Waterproof Connector
- 91362** 1 x 12V L.E.D Slimline Licence Plate Lamp with 0.25m Lead and Waterproof Connector
- 82142** 1 x 7 Pin Flat Trailer Plug with 1m Lead and Waterproof Connector
- 82183** 1 x 7 Pin Large Round Trailer Plug with 1m Lead and Waterproof Connector
- 1 x 'Plug and Play' Box Trailer Harness with Waterproof Connectors

ADR APPROVED	
ADR	CRN/E' Mark
6/00 (cat 2a)	2a-E4-01 16072
47/00	IB-E9-02. 16072
48/00	E9*4R00/ 19*22116 *00
49/00	R1-S1-E9-02 16072



93560BL2

Blister Pack

12 Volt L.E.D Plug and Play Trailer Lamp Kit (Rectangular Lamps)

Suitable for '6 x 4' and '7 x 5' box trailers

Comprises:

- 93550** 2 x 12V L.E.D Slimline Rear Stop Tail, Direction Indicator Lamp with In-Built Retro Reflector, 0.5m Lead and Waterproof Connector
- 91362** 1 x 12V L.E.D Slimline Licence Plate Lamp with 0.25m Lead and Waterproof Connector
- 82142** 1 x 7 Pin Flat Trailer Plug with 1m Lead and Waterproof Connector
- 82183** 1 x 7 Pin Large Round Trailer Plug with 1m Lead and Waterproof Connector
- 1 x 'Plug and Play' Box Trailer Harness with Waterproof Connectors

ADR APPROVED	
ADR	CRN/E' Mark
6/00 (cat 2a)	2a-E9-01. 11717
47/00	IB-E9-02. 11717
48/00	E9*4R00/ 19*22116 *00
49/00	R1-S1-02. 11717



MODEL 37

Designed from the ground up, the Model 37 trailer lamp has been engineered for use on boat trailers where regular submersion is common. The lamps are protected from water ingress with a two-stage sealing system that incorporates ultrasonic welding and a two-part epoxy glue. This allows the lamps to comply with the stringent IP68 standard. Each lamp is fitted with a waterproof connector and joins effortlessly to the main harness which is also compliant to the IP68 standard. All hardware is made from 316 stainless steel and suitable for marine environments.

Available in twin blister packs and 'Plug and Play' kits, each kit contains two rear combination lamps (one with in-built licence plate lamp), two red/amber side marker lamps, main harnesses and two popular trailer plugs to suit the most common sockets fitted to vehicles.



CURRENT DRAW

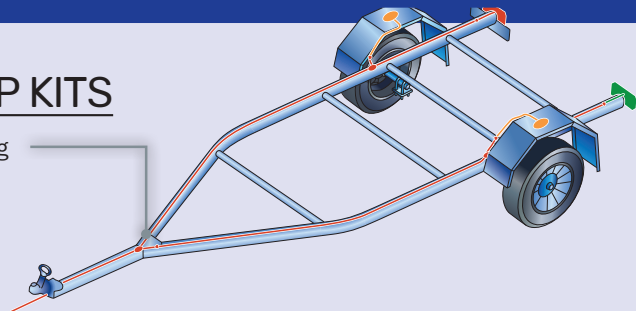
Rear Combination Lamps (per lamp)

Indicator:	0.13A at 12V
Stop:	0.13A at 12V
Tail:	0.03A at 12V
Licence Plate:	0.08A at 12V
Marker Lamps:	0.04A at 12V

IP Rating IP66 and IP68

'PLUG AND PLAY' TRAILER LAMP KITS

A complete 'Plug and Play' solution for boat trailers making installation easier and quicker. Perfect for DIY installation.



Waterproof connection system utilises over-moulded connectors that quickly join the lamps and trailer plug to the main wiring harness. No splicing or joining of wires is required, making connections a tool free operation.

Each kit contains all the necessary lamps to comply a standard boat trailer to Australian Design Regulations (ADR 13/00) for lighting installations.



The two most popular trailer plugs in Australia are included with each kit giving the user flexibility to use their trailer with multiple vehicles and trailer sockets. Included is 7 Pin Flat and 7 Pin Large Round trailer plugs.



MODEL 37 TRAILER LAMP KITS



PART No. / DESCRIPTION

93730BL2

Blister Pack

12 Volt L.E.D Slimline Rear Stop/Tail, Direction Indicator Lamps with Licence Plate Lamp, In-Built Retro Reflector and 0.5m Cable with Connector

Comprises:

93730 1 x 12 Volt L.E.D Slimline Rear Stop/Tail, Direction Indicator Lamp, In-Built Retro Reflector and 0.5m Cable with Connector

93734 1 x 12V L.E.D Slimline Rear Stop/Tail, Direction Indicator with Licence Plate Lamp, In-Built Retro Reflector and 0.5m Cable with Connector

ADR APPROVED	
ADR	CRN/E' Mark
6/00 (cat 2a)	2a-E9-01 22067
47/00	1B-E9-02. 22067
48/00	L-E9-00. 22067
49/00	R1-S1-E9-02.22067



93750BL2

Blister Pack

12 Volt L.E.D 'Plug and Play' Trailer Lamp Kit (Submersible) suitable for boat trailers up to 7m (22')

Comprises:

93730 1 x 12V L.E.D Slimline Rear Stop/Tail, Direction Indicator Lamp with In-Built Retro Reflector, 0.5m Lead and Waterproof Connector

93734 1 x 12V L.E.D Slimline Rear Stop/Tail, Direction Indicator with Licence Plate Lamp and In-Built Retro Reflector, 0.5m Lead and Waterproof Connector

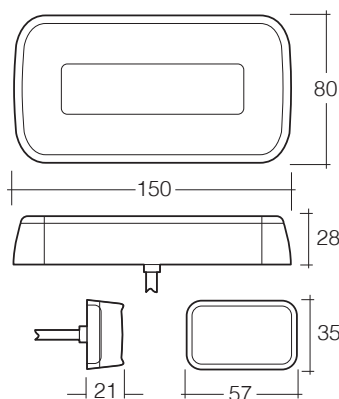
91332 2 x 12V L.E.D Slimline Side Marker Lamp (red/amber) with 0.5m Lead and Waterproof Connector

82142 1 x 7 Pin Flat Trailer Plug with 1m Lead and Waterproof Connector

82183 1 x 7 Pin Large Round Trailer Plug with 1m Lead and Waterproof Connector

1 x 'Plug and Play' Boat Trailer Harness with Waterproof Connectors

ADR APPROVED	
ADR	CRN/E' Mark
6/00 (cat 2a)	2a-E9-01 22067
45/00	49154
47/00	1B-E9-02. 22067
48/00	L-E9-00. 22067
49/00	R1-S1-E9-02.22067



Optional Accessories:

91342 12V L.E.D Slimline Front End Outline Marker Lamp (white) with 0.5m Lead and Waterproof Connector